

CM-WS25L

Rate of Rise Heat Detector

ISO9001
Approvals: CE

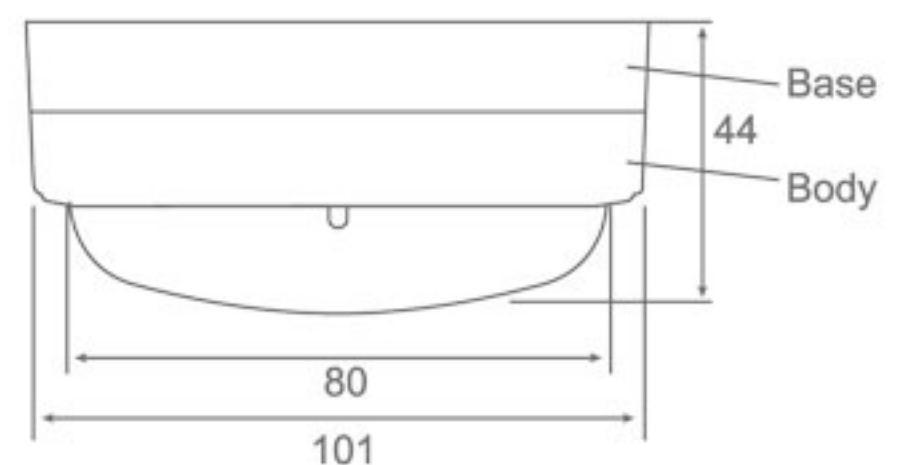


■ ADVANTAGES

- * Mechanical operating principles ensure the long-term durability and the least malfunction
- * Self-restoring function ensures the elements repeatedly use
- * The exhaust valve of R.O.R. Heat Detector part uses optical fiber glass capillary tube that's heat-resistant and moisture-proof to avoid false alarms

■ DIMENSIONS

Unit:mm



■ SPECIFICATION

MODEL NO.	CM-WS25L	AMBIENT TEMP.	-10°C ~ +55°C
TYPE	2-wire	AMBIENT HUMIDITY	0 ~ 95%
VOLTAGE RANGE	12V ~ 30V DC	MATERIAL	Fire-Proof plastics
ALARM CURRENT	24V DC 30mA	DIMENSIONS	101 (Dia.) × 44(H)mm
POLARIZATION	Non-polarized	WEIGHT	115g
ALARM TEMP.	Comply to EN54, CNS	COLOR	White

■ EFFECTIVE ALERT AREA

HEIGHT/CONSTRUCTION	UNDER 4 M	4M ~ 8M
Fire-Proof Building	70 M ²	35 M ²
Ordinary Building	40 M ²	25 M ²

CM-BSN2

4 Inch Mounting Base

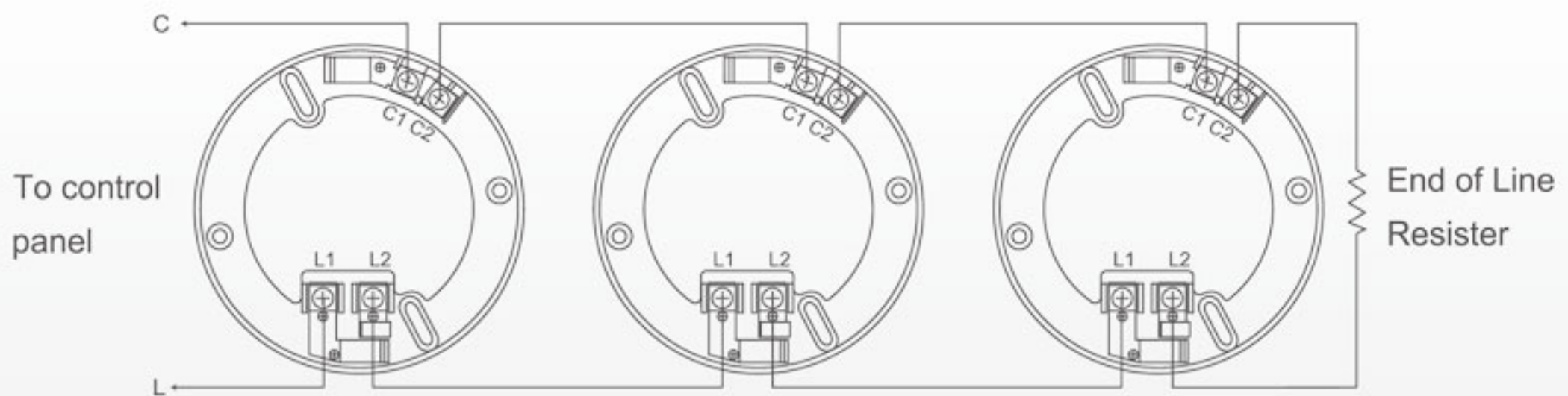
ISO9001
Approvals: CE



SPECIFICATION

MODEL NO.	CM-BSN2
TYPE	2-wire
SPECIFICATION	Apply to Fire Alarm Control Panel
DIMENSIONS	101 (Dia.) × 15(H)mm
ADVANTAGE	Apply to model nos. CM-WS25L, CM-WK200L and CM-WT32L

2-WIRE TYPE



CM-BSN2

